



2400 SERIES FILTRATION FAUCETS CONTEMPORARY C-SPOUT - HOT ONLY

2400 Series available in Cold Only, Hot Only, Hot & Cold Configurations
Available in Three Finishes – Chrome (CH), Brushed Nickel (BN), Polished Nickel (PN)

For Use with BTI Aqua-Solutions Instant Hot Water Dispenser
Provides Instant Hot Water On Demand

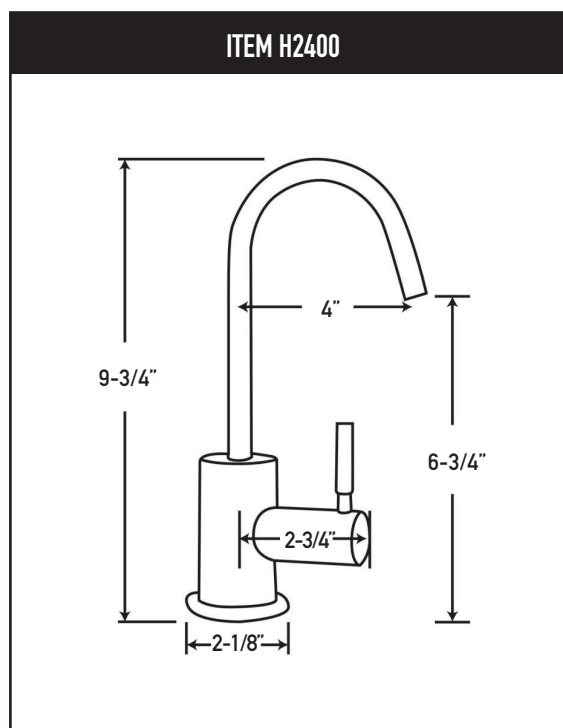
Solid Brass Construction • Insulated Spout • Spout Swivels 360 Degrees

Quarter-Turn Ceramic Disk Cartridges • Flow Rate 1.1 – 1.4 GPM

ADA Compliant Lever Handles • Decorative Spout with 4" Reach

Compatible with Reverse Osmosis Filtration Systems

Decorative Base Plate with Rubber O-Ring Levels Faucet on Uneven Countertops



Max Counter Thickness 2"
Recommended Installation Hole:

Cold Only 3/4 to 1"

Hot Only 1-3/8"

Hot & Cold 1-3/8"

Meets or Exceeds the Following:

- ASME A112.18.1
- CSA B125.1
- NSF 61, 372
- CALGreen
- ADA Compliant