

# IMOGENE ACRYLIC SLIPPER TUB

Cat. No.  
ATS67



L: 67"  
W: 29-1/2"  
H: 24" (from floor) short end  
30" (from floor) tall end  
18" (from bottom of tub) short end  
24" (from bottom of tub) tall end

Water Depth: 11-1/2" to OF

**The following is recommended for  
ATS67 slipper tubs:**

- Faucets: part #4602, 7393 or 7410
- Use with Freestanding Bath Supplies:  
part #4502-PL
- Leg tub drain: part #5599

Gallon Capacity : 50  
Shipping Weight: 150 lbs.  
Empty Weight: 100 lbs.  
Filled Weight: 518 lbs.

## Features:

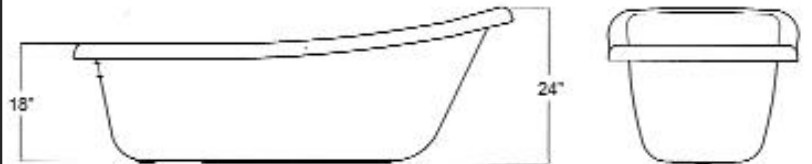
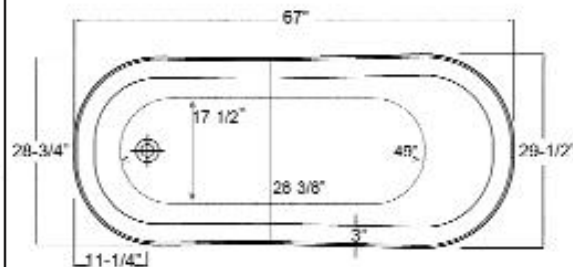
- ▶ Outside is textured fiberglass reinforced polyester coated with two-part epoxy
- ▶ Aluminum ball and claw feet
- ▶ No faucet holes
- ▶ Pre-drilled overflow hole
- ▶ Feet are attached and leveled before shipment
- ▶ Tub is thoroughly inspected before shipment

## Foot Finishes:

- BL** Black
- BQ** Bisque
- BP** Polished Brass
- CP** Polished Chrome
- BN** Brushed Nickel
- ORB** Oil Rubbed Bronze
- PN** Polished Nickel
- WH** White



**Custom Colors Available** (inside of tub is always white enamel):  
Painted bathtubs are considered "special order" and are not returnable  
\$160 Bisque or Black \$250 Designer Color



Dimensions of fixture are nominal and specifications subject to change without notice.

# TUB WALL MOUNT FILLER WITH HANDSHOWER

Cat. No.  
4602



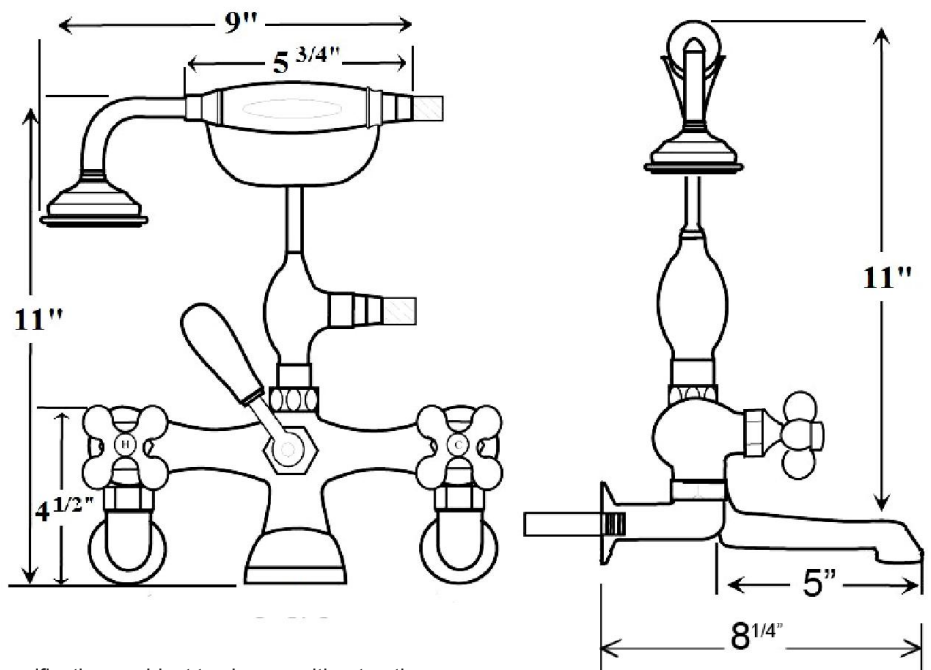
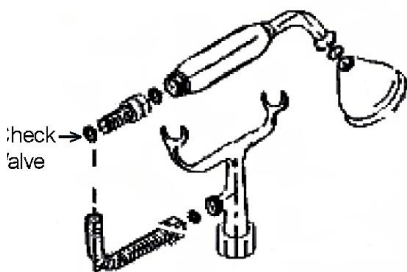
Adjustable Swivel Mounts

## Features:

- ▶ Brass construction
- ▶ Elephant spout length is 5"
- ▶ Spout flow rate is 3.70 GPM
- ▶ Available with porcelain lever (**4602-PL**) or metal cross handles (**4602-MC**)
- ▶ Telephone handshower with cradle and hose
- ▶ Handshower flow rate 2.5 GPM
- ▶ Handshower includes backflow preventer
- ▶ Swivel mounts adjust centers from 3" to 12"
- ▶ Faucet centers are 7" without swivel mounts
- ▶ For tub wall mount installation
- ▶ ¼ turn ceramic disc cartridges
- ▶ To be used with double offset bath supplies, **Part #5576**
- ▶ This faucet can also be used with rigid freestanding supplies, **Part #4502** with adjustable swivel mounts removed

## Finishes:

<b>BP</b> Polished Brass	<b>SN</b> Brushed Nickel
<b>CP</b> Polished Chrome	<b>PN</b> Polished Nickel
<b>ORB</b> Oil Rubbed Bronze	



Dimensions are nominal and may vary. Dimensions and specifications subject to change without notice.

# FREESTANDING BATH SUPPLIES

Cat. No.  
4502-PL



## Features:

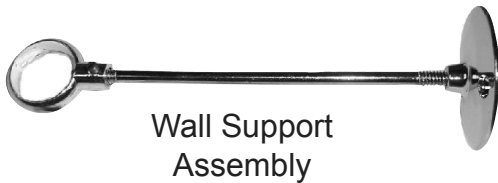
- ▶ 5" Shaft included
- ▶ Stops included
- ▶ 1/2" Pipe thread inlet
- ▶ 3/4" Flare outlet
- ▶ Wall support assemblies included
- ▶ Porcelain lever handles
- ▶ 0.800" Outer diameter
- ▶ 0.595" Inner diameter
- ▶ 0.090" Thickness of wall
- ▶ Available in 5 finishes

## Finishes:

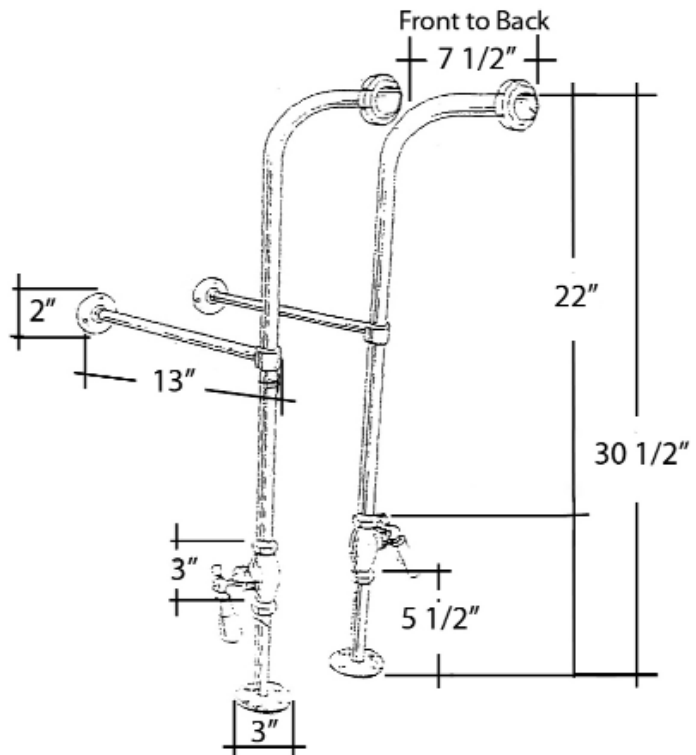
<b>CP</b>	Polished Chrome	<b>PN</b>	Polished Nickel
<b>BP</b>	Polished Brass	<b>ORB</b>	Oil Rubbed Bronze
<b>SN</b>	Brushed Nickel		

H: 30" (30 1/2" with nut)

OD: 1/2"



Wall Support  
Assembly



**Use on concrete floors requires special installation. We recommend using a plumbing professional.**

Dimensions are nominal and may vary. Dimensions and specifications subject to change without notice.

# LEG TUB DRAIN

Cat. No.  
5599



Escutcheon Height: 1-1/4"

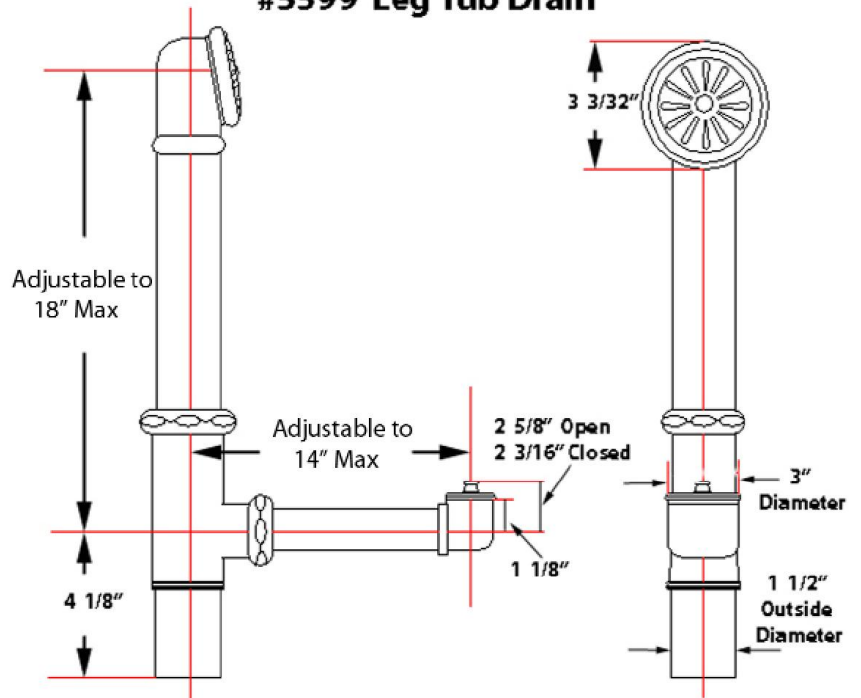
## Features:

- ▶ Twist-and-lift stopper
- ▶ Includes deep escutcheon
- ▶ Height adjustable 15"-18"
- ▶ Depth adjustable 12"-14"
- ▶ Includes deep escutcheon
- ▶ Available in 5 Finishes

## Finishes:

- CP Polished Chrome
- BP Polished Brass
- SN Brushed Nickel
- PN Polished Nickel
- ORB Oil Rubbed Bronze

## #5599 Leg Tub Drain



Dimensions and specifications subject to change without notice.

# “D” SHAPED SHOWER ROD

Cat. No.  
4145



“D” Rod Loop Connector



Rectangular Flange

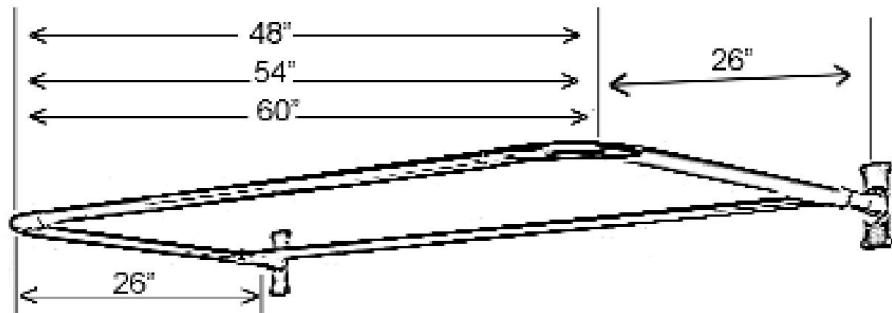
## Features:

- ▶ 1” Solid brass tubing
- ▶ Includes rectangular flanges( #300)
- ▶ Includes two “D” rod loop connectors (#331)
- ▶ Available In 3 Sizes: 48”, 54”, and 60”  
(#4145-48, #4145-54, and #4145-60)
- ▶ All rods come as four pieces
- ▶ Ceiling Supports Available ( #340)
- ▶ Available in 5 finishes

## Finishes:

**CP** Polished Chrome  
**BP** Polished Brass  
**PN** Polished Nickel

**SN** Brushed Nickel  
**ORB** Oil Rubbed Bronze



**Measurements Show Different  
Lengths For Each Size Rod.**

Dimensions are nominal and may vary. Dimensions and specifications are subject to change without notice.