

TECHNICAL SPECIFICATIONS

OPS-3636 - Base Model

MODEL NUMBER 141271

DIMENSIONS: 36" x 36" x 76 5/8" Gelcoat



STANDARD FEATURES

- One-piece transfer shower reinforced according to FHA accessibility requirements
- Configurable to be compliant with major accessibility codes when properly installed
- Center drain
- Textured bottom
- 1 1/8 inch skirt and 1/2 inch high threshold

UNIQUE FEATURES

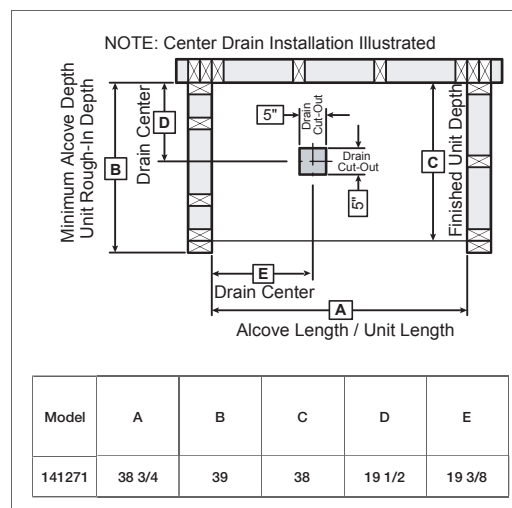
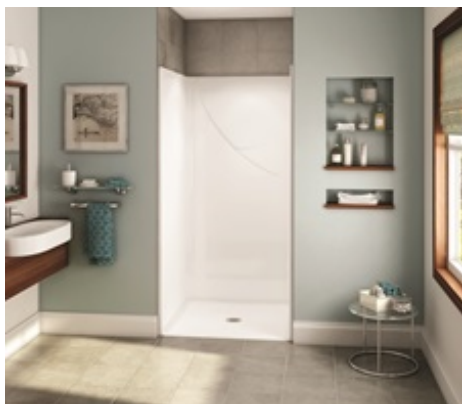
- None

OPTIONS

- 36" Chrome curtain rod
- Chrome recessed soap dish (drilled, not installed)
- Solid Brass drain with Chrome plated Stainless Steel grid
- 36" White vinyl shower curtain

SYSTEMS

- None



Project :

Contractor :

AKER Representative : Tel :

Date :

CERTIFICATIONS

AKER products adhere to one or more of the following certifications:

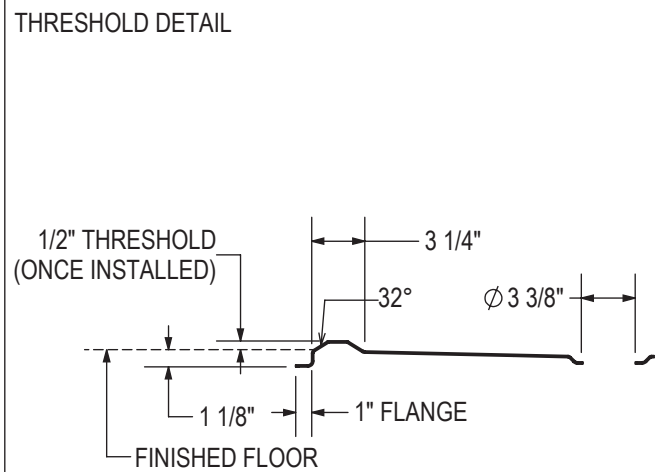
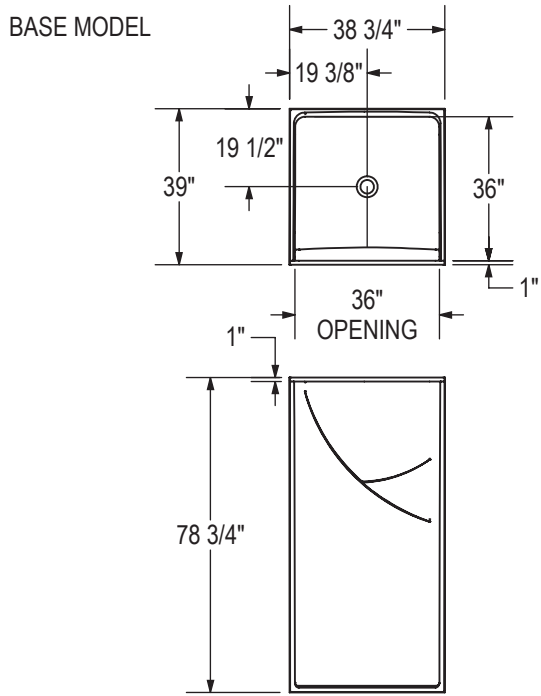


TECHNICAL SPECIFICATIONS

OPS-3636 - Base Model

MODEL NUMBER 141271

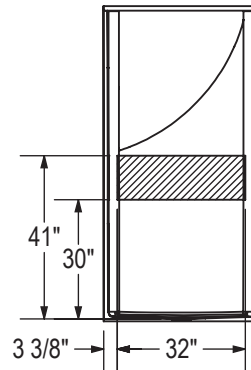
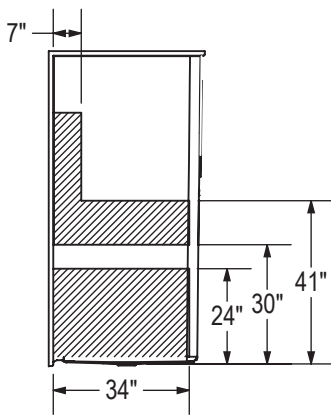
TECHNICAL DRAWINGS



REINFORCEMENT BACKING

RIGHT WALL SHOWN
LEFT WALL SYMMETRICAL

BACK WALL



All dimensions are approximate. Structure measurements must be verified against the unit to ensure proper fit.